

SWIMMING/SPA POOL
PLAN APPROVAL REQUIREMENTS
FOR REPLASTERING/EQUIPMENT CHANGES



**CITY OF LONG BEACH - DEPARTMENT OF HEALTH & HUMAN SERVICES
BUREAU OF ENVIRONMENTAL HEALTH
2525 GRAND AVE, ROOM 220
LONG BEACH, CA 90815
(562) 570-4132/ Fax (562) 570-4038**

Persons replastering or resurfacing any type of public or commercial pool, making modifications to pool equipment, or adding or replacing fencing are required to submit plans to this Department prior to commencing the work and in advance of the issuance of any permits.

Persons making modifications to the pool shell or major modifications to the recirculation system should refer to the standard plan approval requirements for pools.

Missing, handrails at stairs, ladders and depth markers should be replaced anytime a pool is drained for any reason (e.g. acid wash).

- At least **two** sets of plans are required. This Department will retain one copy of the plans. A plan approval fee is required. The fee will depend on the extent of the renovation.
- After the renovation is complete, a field visit will be made to verify compliance with the plan approval.
- Plan approvals are valid for a period of one year from the date of the stamp.
- Pool plan approval does not authorize the violation of any law, ordinance, or regulation and final approval is subject to field inspection and evaluation.

The following information is **required** for the plan approval:

1) Job Address - street number, city, zip.

2) Name, mailing address and telephone number of pool builder and owner.

3) If the pool is being replastered or resurfaced provide the following information:

- a. Resurfacing material and color.
- b. A top view drawing showing the length and width of the pool.
Scale- Swimming Pools (1/4 inch = 1 ft.) / Spa (1 inch = 1 ft.)
- c. Location of a line of 4 - 6 inch wide contrasting tile at the 4½ ft. water depth. (Pools with a maximum water depth of 5 feet or less do not require a tile line)
- d. A side view drawing of the handrail over the stairs showing the distance from each tread and the deck to the top of the handrail. This distance needs to be between 28" and 36". If the existing handrail does not meet these requirements it needs to be replaced. (See diagram 2 on the last page)
- e. Show depth marker locations on the top view drawing. Pools with a width greater than 20 ft. require corresponding slip-resistant depth markers on the deck. (Remember, a depth marker is required where there is a break in slope, while the 4" contrasting tile line is always placed where the water depth is 4½ ft.)

- f. Show the ladder(s) at the deep end of the pool. (Pools with a maximum water depth of 4½ ft. or less are not required to have a ladder)
- 6) Provide coping detail if the pool coping is being replaced.
- 7) If there is a change in or addition to equipment provide:
- a. Year pool was built.
 - b. Volume of pool.
 - c. Make and model number of existing equipment and any new equipment that is being installed. (See approved equipment list)
 - d. Size of suction and return lines going and coming from the equipment room.
 - e. Any other information that pertains to the equipment installation.
- 8) If there is an existing diving board, provide scaled top and side view dimensions of the pool.

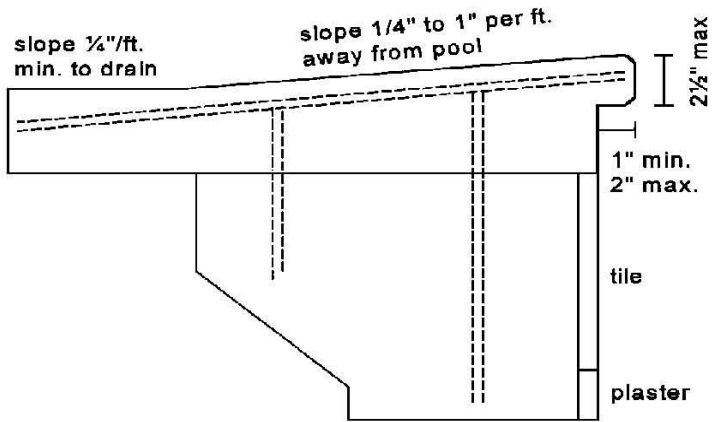
REQUIREMENTS

- 1 Swimming pool/ spa pool shells must be white in color.
All materials other than plaster must be submitted to this Department for approval.
- 2 When a pool is replastered or resurfaced all pools greater than five feet in depth, are required to have a 4 - 6 inch wide straight line of slip-resistant contrasting tile along the floor of the pool where the water depth is 4½ feet. Unglazed tile is considered slip-resistant.
- 3 A handrail must be provided over all stairs extending from the deck to the bottom step tread. The upper railing surface shall be not less than 28 inches nor more than 36 inches above the deck and each step tread as measured from a flat portion of the deck and the edge of each step tread to the top of the handrail. The clearance between any handrail and step riser shall be a minimum of three inches.
- 4 Waterline tile around the entire perimeter of the pool is required.
- 5 Depth markers must be provided on both sides of a swimming pool at the shallowest and deepest depths, at all breaks in slope, and on both ends of the pool. Spas must have a minimum of two depth markers. Water depth is measured from the floor of the pool to the middle of the tile line. Markers should indicate depth to the nearest six inches.
- 6 All swimming pools with diving boards will be reviewed for compliance with the current pool code and ordered removed if not in compliance, regardless of when they were installed.
- 7 When a pool is drained it is a good time to check and repair/replace the pool lighting and drain covers. All suction drain covers are required to be in good repair, meet ANSI standards and be secured with screws.
- 8 Indoor/outdoor carpeting or similar products are not approved for swimming or spa pool decks. Any deck material other than concrete must be approved by this Department.

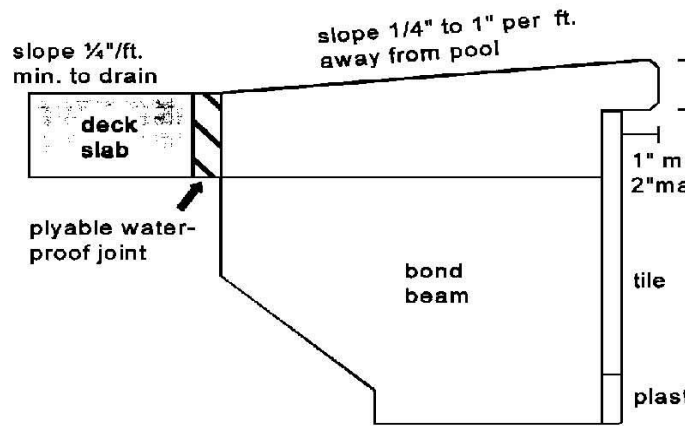
- 9 Coping that is being replaced must extend over the pool wall 1 to 2 inches and not be thicker than 2½ inches.
- 10 All equalizer lines shall be covered with an approved suction grate removable only with tools.

APPROVED COPING

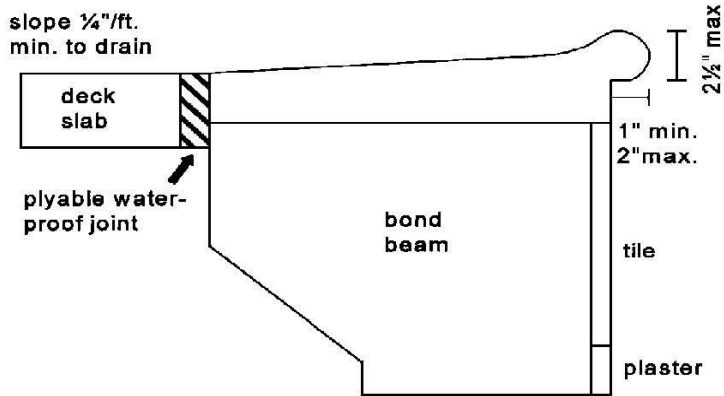
Monolithic Concrete Coping



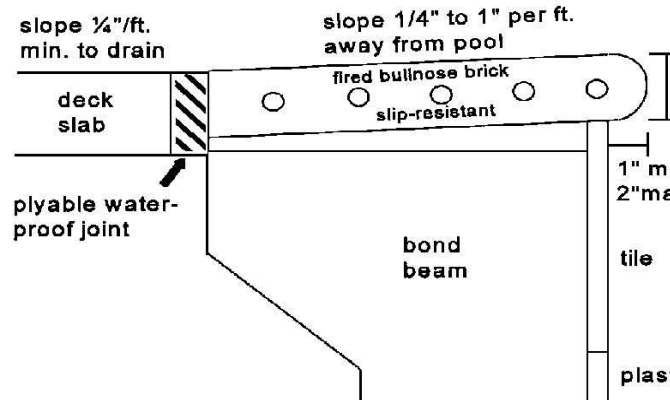
Cast-in-Place Concrete Coping



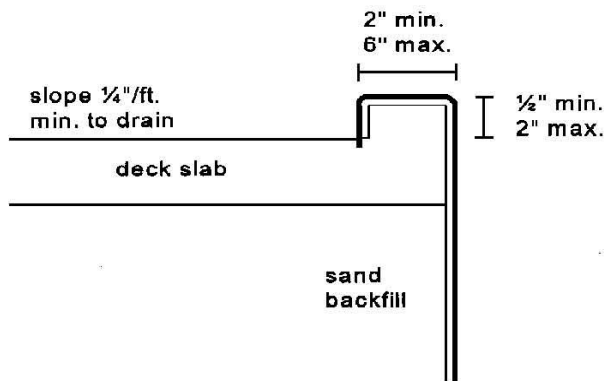
Precast Bullnose Coping



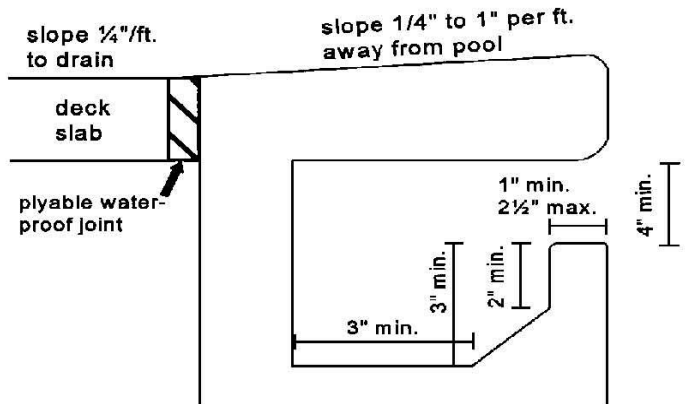
Brick Bullnose Coping



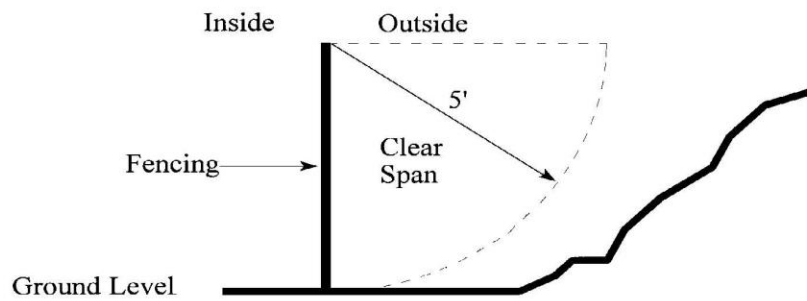
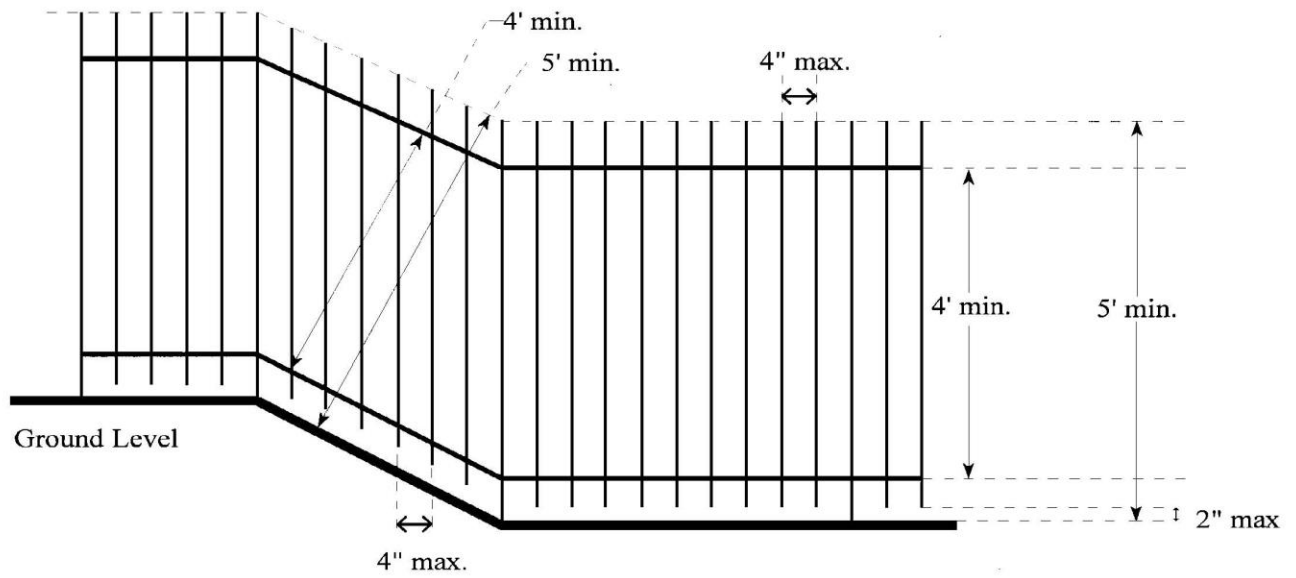
Fiberglass Spa Coping



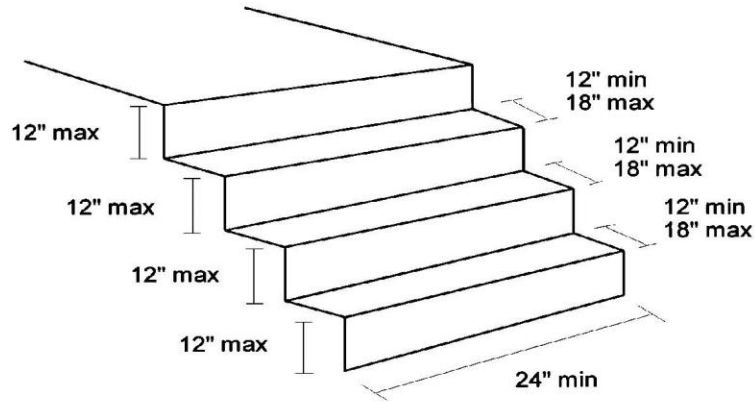
Perimeter Overflow Pools



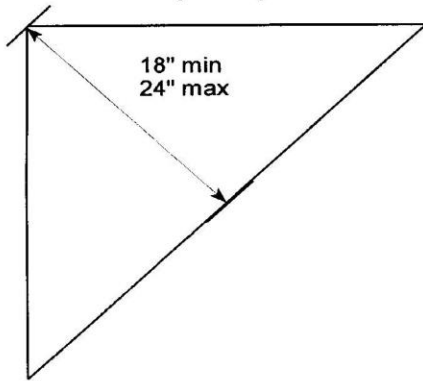
APPROVED POOL ENCLOSURE FENCING



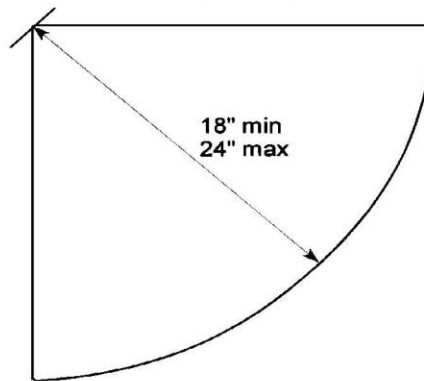
STAIR DIMENSIONS



Triangular
Top Step



Convex
Top Step



APPROVED HANDRAIL CONFIGURATION

